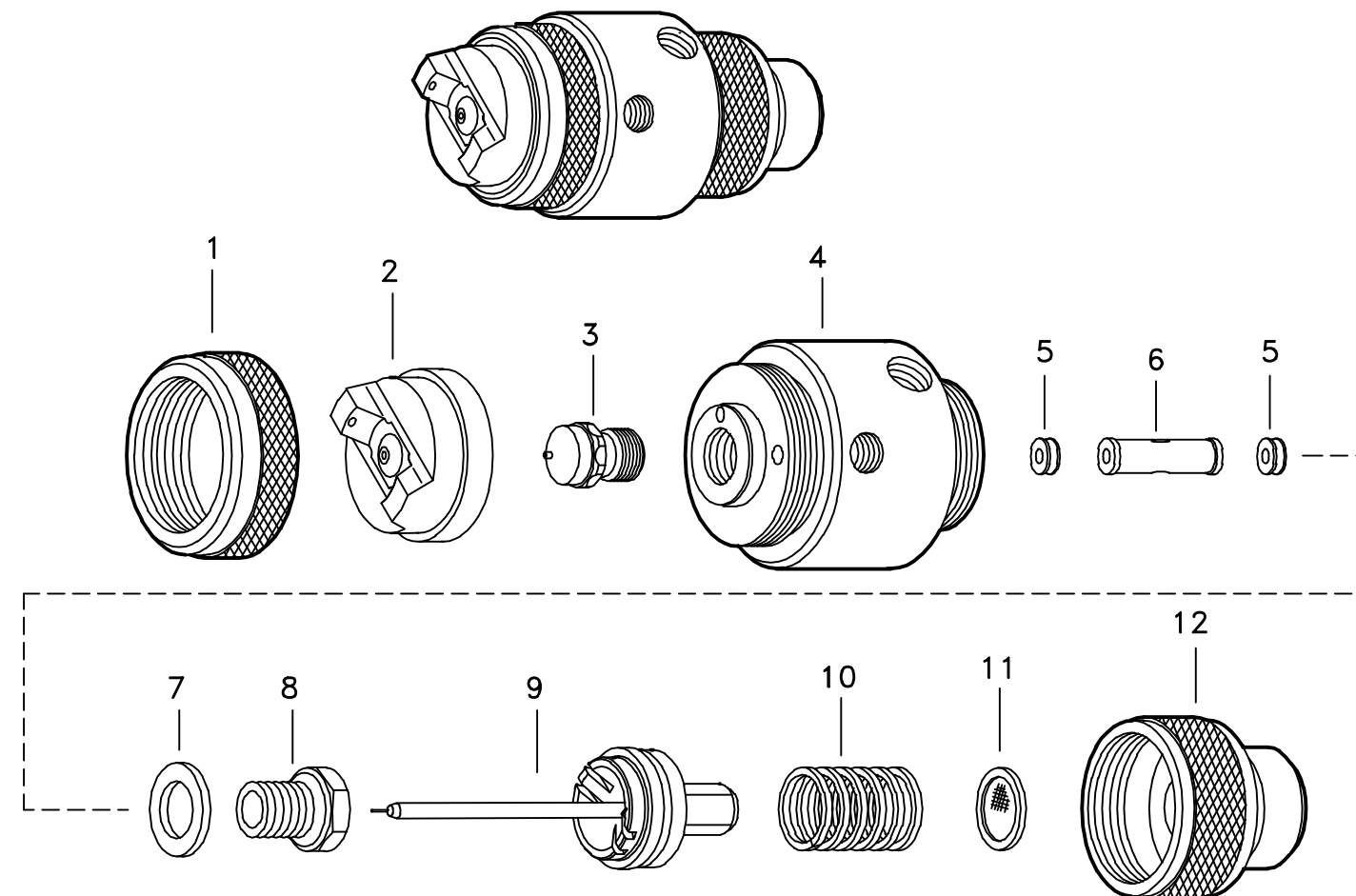


ITEM	PART NO.	DESCRIPTION
1	CP28207-101-SS	CAP RING, STAINLESS STEEL
2	VA-*--SS	AIR CAP, STAINLESS STEEL
3	VF-**-SS	FLUID CAP SUB-ASB., STAIN. STEEL (WITH O'RING & SLEEVE)
4	CP28210-102-SS	BODY, STAINLESS STEEL (FOR 1/8VAU-SS)
	CPB28210-103-SS	BODY, STAINLESS STEEL (FOR B1/8VAU-SS)
5	CP29578-001-VITEF	QUAD RING, VITON-TEFLON COATED (2 REQ'D)
6	CP20221EC-TEF	QUAD RING RETAINER, TEFLON
7	CP28218-102-NY	WASHER, NYLON
8	CP29655-001-SS	PACKING SCREW, STAINLESS STEEL
9	28222-***-SS	NEEDLE ASSEMBLY, STAINLESS STEEL
10	CP30449-001-SS	SPRING, STAINLESS STEEL
11	7630EC-100	DISC STRAINER, STAINLESS STEEL (100 MESH)
12	CP28211-101-SS	END CAP, STAINLESS STEEL
No. 1/8VAU-SS, VARIABLE SPRAY AUTOJET® NOZZLE [1/8" N.P.T. (F) CONN.]		
No. B1/8VAU-SS, VARIABLE SPRAY AUTOJET® NOZZLE [1/8" B.S.P.T. (F) CONN.]		

* SPECIFY AIR CAP No. REQUIRED (SEE TABLE BELOW)
 ** SPECIFY FLUID CAP No. REQUIRED (SEE TABLE BELOW)
 *** SPECIFY NEEDLE ASSEMBLY No. REQUIRED (SEE TABLE BELOW)



ITEM	SPRAY SET-UP No.						
	SUV67A-SS	SUV67B-SS	SUV67-SS	SUV113A-SS	SUV113-SS	SUV128-SS	SUV152-SS
AIR CAP No. —————>	VA67255-60-SS	VA67255-60-SS	VA67255-60-SS	VA113293-60-SS	VA113293-60-SS	VA1282125-60-SS	VA1522125-60-SS
FLUID CAP SUB-ASB. No. —>	VF2050-SS	VF1650-SS	VF2850-SS	VF3578-SS	VF4078-SS	VF60100-SS	VF80125-SS

NEEDLE ASSEMBLY No. FOR SPRAY SET-UPS****

SPRAY SET-UP No.	NEEDLE ASSEMBLY No.
SUV67A-SS	28222-001-SS
SUV67B-SS	28222-002-SS
SUV67-SS	28222-003-SS
SUV113A-SS	28222-004-SS
SUV113-SS	28222-005-SS
SUV128-SS	28222-006-SS
SUV152-SS	28222-007-SS

HOW TO ORDER:

COMPLETE NOZZLE SPECIFY: 1/8VAU-SS+SUV67-SS

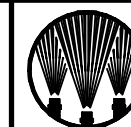
SPRAY SET-UP W/NEEDLE: SUV67-SS WITH NEEDLE ASB. 28222-003

FLUID CAP ONLY: VF2850-SS

AIR CAP ONLY: VA67255-60-SS

NEEDLE ASB. ONLY: 28222-003-SS

DESCRIPTION:
 TYPE 1/8VAU-SS & B1/8VAU-SS
 VARIABLE SPRAY AUTOJET
 AUTOMATIC AIR ATOMIZING
 NOZZLES



Spraying Systems Co.®

Spray Nozzles and Accessories
 P.O. Box 7900 - Wheaton, IL 60189-7900

Rev. No.

Ref.

Parts List No.
PL 1/8VAU-SS
 SHEET OF

NOTE: COMPLETE NOZZLE ASSEMBLIES (ORDERED WITH SET-UPS) AUTOMATICALLY INCLUDE APPROPRIATE NEEDLE ASSEMBLIES. ORDERS FOR NOZZLES LESS SET-UPS OR SET-UPS ALONE REQUIRE A SEPARATE ORDER FOR NEEDLE ASSEMBLIES WHEN REQUIRED.