

Single-Use BioProcess Bags

50 ml to 20 liters



Custom products to meet your timeline

Designed for the preparation, collection, storage
and transport of biopharmaceutical liquids

Single-Use BioProcess Bags: 50 ml to 20 liters

Applications

Saint-Gobain single-use bags provide broad chemical compatibility for safe handling of a wide range of biopharmaceutical liquids.

Typical applications include:

- Buffer and media storage
- Bioreactor feed and harvest
- Intermediate product hold
- Chromatography feed
- Fraction collection
- Product sampling
- Final product hold

Ease of Use

Saint-Gobain standard single-use bags incorporate a variety of features allowing easy integration into single-use process applications:

- Integrated handle (2 liter-20 liter)
- Integrated hanging capability
- Needle-free sampling port
- May be used with sterile welder

Materials and Components

Saint-Gobain single-use bags are constructed of multilayer films optimized for bioprocess production applications. Film materials are consistent throughout the product range, with LDPE as the fluid contact material and EVOH as the gas barrier layer. All standard products are certified to be free of animal derived components.

Validation

Saint-Gobain single-use bags have been qualified using widely accepted test methods.

ISO 10993-5 Cytotoxicity, In Vitro

USP <88> Class VI, In Vivo

ISO 11137 Sterilization of medical devices

ISO 11137 Bioburden

USP <788> EP <2.9> Particulate matter injectables

Extractables and Leachables

ASTM Physical Properties

Standard Bags, MPC & Luer® Lock Connectors 50 ml – 1 liter

■ 6" Tubing Length, All Ports

Part #	Description	Tubing	Port 1	Port 2	Port 3	Qty/Box
BP0050M	50 ml Bag, STD 3 ports	Clear C-Flex® 374	1/4" x 7/16" x 6" (6.35 mm x 11.11 mm x 15.24 cm) MPC Insert, Port Cover, Pinch Clamp	1/4" x 7/16" x 6" (6.35 mm x 11.11 mm x 15.24 cm) MPC Insert, Port Cover, Pinch Clamp	1/8" x 1/4" x 6" (3.175 mm x 6.35 mm x 15.24 cm) LL Female + Needle-Free Sampling Port, Luer Cap, Pinch Clamp	20
BP0150M	150 ml Bag, STD 3 ports					20
BP0250M	250 ml Bag, STD 3 ports					20
BP0500M	500 ml Bag, STD 3 ports					20
BP0001L	1 L Bag, STD 3 ports					20

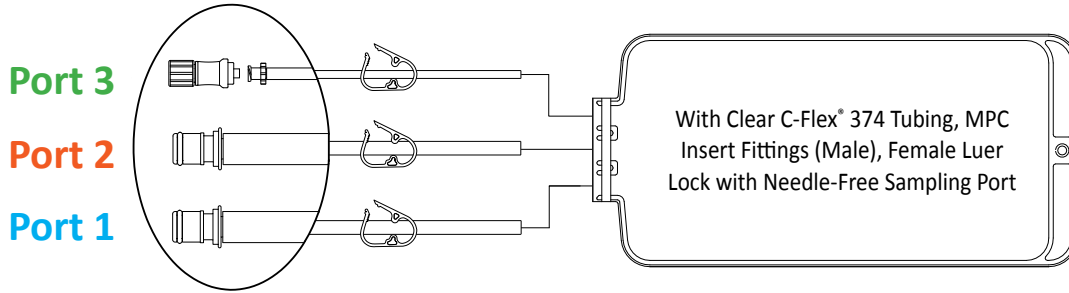
■ 6" Tubing Length, Ports 1 & 2 ■ 20" Tubing Length, Port 3

BP0050MC	50 ml Bag, STD 3 ports	Clear C-Flex® 374	1/4" x 7/16" x 6" (6.35 mm x 11.11 mm x 15.24 cm) MPC Insert, Port Cover, Pinch Clamp	1/4" x 7/16" x 6" (6.35 mm x 11.11 mm x 15.24 cm) MPC Insert, Port Cover, Pinch Clamp	1/8" x 1/4" x 20" (3.175 mm x 6.35 mm x 50.80 cm) LL Female + Needle-Free Sampling Port, Luer Cap, Pinch Clamp	20
BP0150MC	150 ml Bag, STD 3 ports					20
BP0250MC	250 ml Bag, STD 3 ports					20
BP0500MC	500 ml Bag, STD 3 ports					20
BP0001LC	1 L Bag, STD 3 ports					20

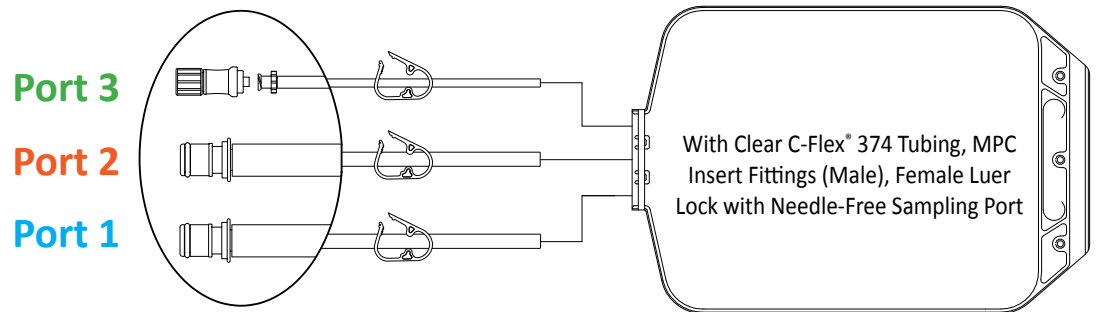
■ 20" Tubing Length, All Ports

BP0050ML	50 ml Bag, STD 3 ports	Clear C-Flex® 374	1/4" x 7/16" x 20" (6.35 mm x 11.11 mm x 50.80 cm) MPC Insert, Port Cover, Pinch Clamp	1/4" x 7/16" x 20" (6.35 mm x 11.11 mm x 50.80 cm) MPC Insert, Port Cover, Pinch Clamp	1/8" x 1/4" x 20" (3.175 mm x 6.35 mm x 50.80 cm) LL Female + Needle-Free Sampling Port, Luer Cap, Pinch Clamp	20
BP0150ML	150 ml Bag, STD 3 ports					20
BP0250ML	250 ml Bag, STD 3 ports					20
BP0500ML	500 ml Bag, STD 3 ports					20
BP0001LL	1 L Bag, STD 3 ports					20

Standard Bags, MPC & Luer® Lock Connectors 50 ml – 1 liter



Standard Bags, MPC & Luer® Lock Connectors 2 liter – 20 liter



Standard Bags, MPC & Luer® Lock Connectors 2 liter – 20 liter

■ 6" Tubing Length, All Ports

Part #	Description	Tubing	Port 1	Port 2	Port 3	Qty/Box
BP0002L	2 L Bag, STD 3 ports	Clear C-Flex® 374	1/4" x 7/16" x 6" (6.35 mm x 11.11 mm x 15.24 cm) MPC Insert, Port Cover, Pinch Clamp	1/4" x 7/16" x 6" (6.35 mm x 11.11 mm x 15.24 cm) MPC Insert, Port Cover, Pinch Clamp	1/8" x 1/4" x 6" (3.175 mm x 6.35 mm x 15.24 cm) LL Female + Needle-Free Sampling Port, Luer Cap, Pinch Clamp	20
BP0003L	3 L Bag, STD 3 ports					20
BP0005L	5 L Bag, STD 3 ports		3/8" x 5/8" x 6" (9.53 mm x 15.87 mm x 15.24 cm) MPC Insert, Port Cover, Pinch Clamp	3/8" x 5/8" x 6" (9.53 mm x 15.87 mm x 15.24 cm) MPC Insert, Port Cover, Pinch Clamp		20
BP0010L	10 L Bag, STD 3 ports					10
BP0020L	20 L Bag, STD 3 ports					10

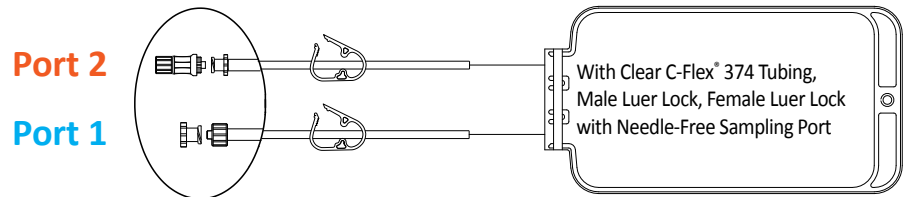
■ 6" Tubing Length Ports 1 & 2 ■ 20" Tubing Length, Port 3

BP0002LC	2 L Bag, STD 3 ports	Clear C-Flex® 374	1/4" x 7/16" x 6" (6.35 mm x 11.11 mm x 15.24 cm) MPC Insert, Port Cover, Pinch Clamp	1/4" x 7/16" x 6" (6.35 mm x 11.11 mm x 15.24 cm) MPC Insert, Port Cover, Pinch Clamp	1/8" x 1/4" x 20" (3.175 mm x 6.35 mm x 50.80 cm) LL Female + Needle-Free Sampling Port, Luer Cap, Pinch Clamp	20
BP0003LC	3 L Bag, STD 3 ports					20
BP0005LC	5 L Bag, STD 3 ports		3/8" x 5/8" x 6" (9.53 mm x 15.87 mm x 15.24 cm) MPC Insert, Port Cover, Pinch Clamp	3/8" x 5/8" x 6" (9.53 mm x 15.87 mm x 15.24 cm) MPC Insert, Port Cover, Pinch Clamp		20
BP0010LC	10 L Bag, STD 3 ports					10
BP0020LC	20 L Bag, STD 3 ports					10

■ 20" Tubing Length, All Ports

BP0002LL	2 L Bag, STD 3 ports	Clear C-Flex® 374	1/4" x 7/16" x 20" (6.35 mm x 11.11 mm x 50.80 cm) MPC Insert, Port Cover, Pinch Clamp	1/4" x 7/16" x 20" (6.35 mm x 11.11 mm x 50.80 cm) MPC Insert, Port Cover, Pinch Clamp	1/8" x 1/4" x 20" (3.175 mm x 6.35 mm x 50.80 cm) LL Female + Needle-Free Sampling Port, Luer Cap, Pinch Clamp	20
BP0003LL	3 L Bag, STD 3 ports					20
BP0005LL	5 L Bag, STD 3 ports		3/8" x 5/8" x 20" (9.53 mm x 15.87 mm x 50.80 cm) MPC Insert, Port Cover, Pinch Clamp	3/8" x 5/8" x 20" (9.53 mm x 15.87 mm x 50.80 cm) MPC Insert, Port Cover, Pinch Clamp		20
BP0010LL	10 L Bag, STD 3 ports					10
BP0020LL	20 L Bag, STD 3 ports					10

Standard Bags Luer® Lock Connectors 50 ml – 500 ml



■ 12" Tubing Length, Both Ports

Part #	Description	Tubing	Port 1	Port 2	Qty/Box
BP0050MS	50 ml Bag, STD 2 ports	Clear C-Flex® 374	1/8" x 1/4" x 12" (30.48 cm) MPC Insert, Port Cover, Pinch Clamp	1/8" x 1/4" x 12" (30.48 cm) MPC Insert, Port Cover, Pinch Clamp	20
BP0150MS	150 ml Bag, STD 2 ports				20
BP0250MS	250 ml Bag, STD 2 ports				20
BP0500MS	500 ml Bag, STD 2 ports				20

Dimensions 50 ml – 20 liter

Volume	50 ml Bag	150 ml Bag	250 ml Bag	500 ml Bag	1 L Bag
Length	5.22" (13.26 cm)	7.72" (19.61 cm)	9.72" (24.69 cm)	10.22" (25.96 cm)	13.50" (34.29 cm)
Width	3.85" (9.78 cm)	3.85" (9.78 cm)	3.85" (9.78 cm)	5.35" (13.59 cm)	6.48" (16.46 cm)
Internal Surface Area	26.00 in ² (167.74 cm ²)	43.50 in ² (280.64 cm ²)	57.00 in ² (367.74 cm ²)	86.21 in ² (556.13 cm ²)	145.42 in ² (935.48 cm ²)

Volume	2 L Bag	3 L Bag	5 L Bag	10 L Bag	20 L Bag
Length	15.55" (39.37 cm)	18.05" (45.72 cm)	18.34" (46.48 cm)	27.70" (70.36 cm)	28.12" (71.37 cm)
Width	9.35" (23.75 cm)	9.35" (23.75 cm)	12.35" (31.24 cm)	12.35" (31.24 cm)	18.35" (46.48 cm)
Internal Surface Area	226.40 in ² (1458.06 cm ²)	271.40 in ² (1748.38 cm ²)	364.52 in ² (2348.38 cm ²)	587.44 in ² (3787.09 cm ²)	887.98 in ² (5722.57 cm ²)

Contact us today for:

Consultations • Samples • Quotes • Orders • On-time Deliveries

BIOPHARMACEUTICAL PRODUCTS MANUFACTURING FACILITY

Saint-Gobain Performance Plastics
15301 Highway 55
Plymouth, MN 55447
Tel: (763) 398-1560
Fax: (763) 398-1589

WWW.APPLIEDBPC.COM

WWW.BIOPHARM.SAINT-GOBAIN.COM

IMPORTANT: It is the user's responsibility to ensure the suitability and safety of Saint-Gobain Performance Plastics products for all intended uses and that the materials to be used comply with all applicable medical regulatory requirements. Saint-Gobain Performance Plastics assumes no responsibility for any product failures that occur due to misuse of the materials it provides arising out of the design, fabrication or application of the products into which the materials are incorporated.

SAINT-GOBAIN PERFORMANCE PLASTICS DISCLAIMS ALL IMPLIED WARRANTIES OF MERCHANTABILITY AND FITNESS FOR A PARTICULAR PURPOSE.

WARRANTY: For a period of 12 months from the date of first sale, Saint-Gobain Performance Plastics warrants this product to be free from defects in materials and workmanship. Our only obligation will be to replace any portion proving defective, or at our option, to refund the purchase price thereof.

For more than four decades, Saint-Gobain and its family of companies have supplied the world with innovative, high-performance polymer products for the most demanding applications. Our tradition of excellence goes back almost 350 years through our parent company, Compagnie de Saint-Gobain, one of the world's top 100 industrial corporations, with operations in 64 countries. This successful corporation has been built with the single purpose of serving the customer and a commitment to quality and leadership in each of the industries served.

